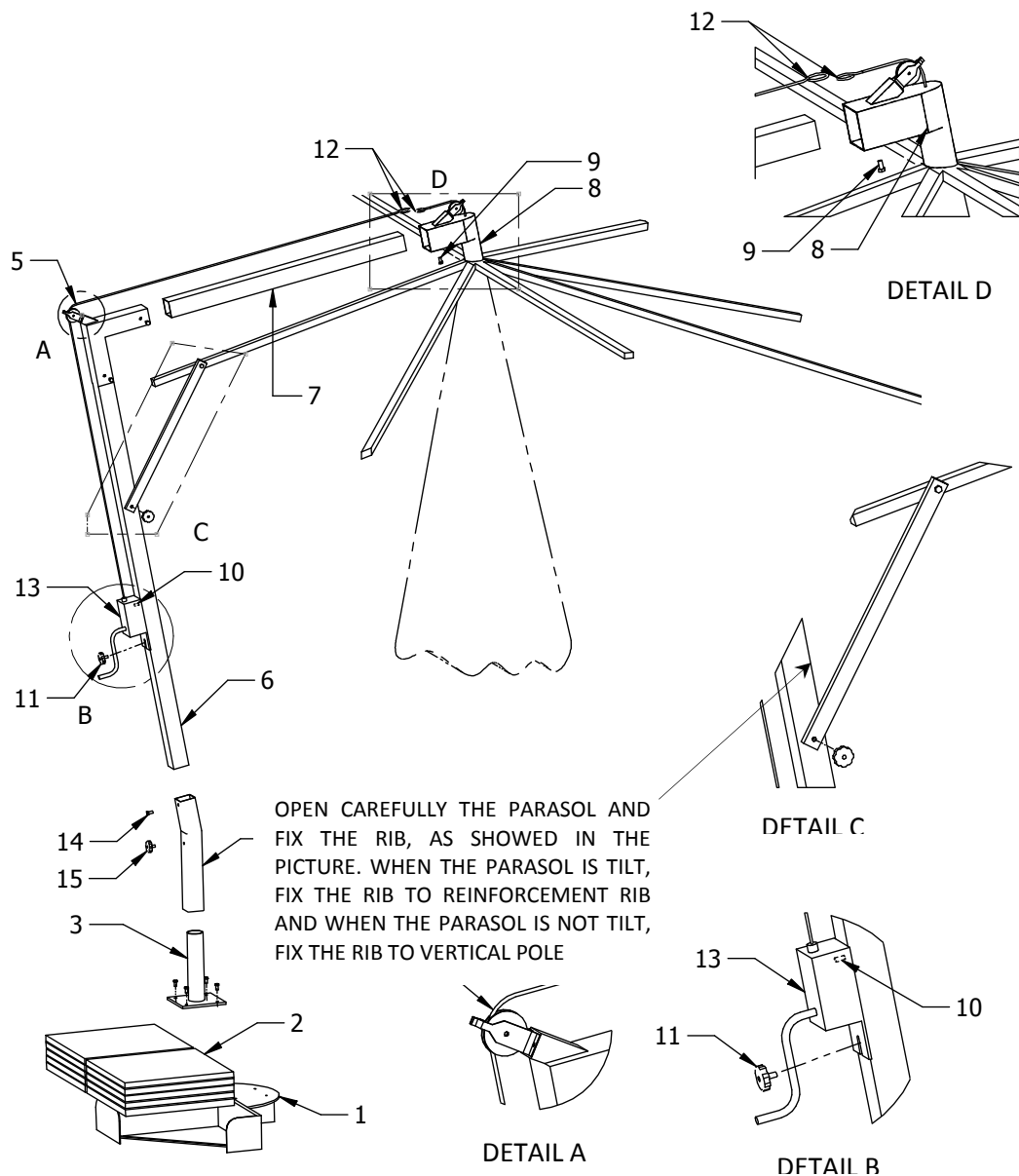


# ASSEMBLY INSTRUCTIONS

## MOD: HORIZON



### ASSEMBLY INSTRUCTIONS IN SUCCESSION

1. SEAT THE BASE IN THE CHOSEN PLACE
2. PLACE THE PLATES INTO THE BASE
3. FIX THE REVOLVING TUBE TO THE BASE WITH THE HOLE TOWARDS THE PLATES
4. INSERT THE SQUARE TUBE OUTSIDE THE REVOLVING TUBE
5. INSERT THE VERTICAL POLE INTO THE SQUARE TUBE
6. TIGHTEN THE KNOB
7. TIGHTEN THE SELF-THREADED SCREW
8. INSERT THE HORIZONTAL POLE WITH PULLEY (N° 13)
9. FIX THE RIB FOR ROTATION
10. REMOVE THE PART N° 10
11. HOOK THE PARASOL
12. FIX THE PART N° 10
13. FIX THE PULLEY
14. TIGHTEN THE PIN 6X22
15. TIGHTEN PARTIALLY THE KNOB
16. INSERT THE WINCH BETWEEN THE INSERT, THE KNOB AND THE PIN AND TIGHTEN THE KNOB
17. PASS WINCH CABLE THROUGH THE CORNER, INSERT IT INTO THE PULLEY AND HOOK THROUGH SNAP-HOOK WITH THE PARASOL
18. OPEN CAREFULLY THE PARASOL
19. FIX THE REINFORCEMENT RIB THROUGH THE KNOB

NOTE: IN THE PARASOL SIZE 3X4, THE HOOKING BETWEEN WINCH AND PARASOL CABLE IS ON VERTICAL SIDE.